



BAR SETUP

Catalogue

Standard Products

BAR
SETUP

B a s i c

S



M₁



M₂



L



1199 €

1499 €

1799 €

2499 €

1799 €

2499 €

2299 €

3299 €

P l u s

S



M₁



M₂



L



S c r o l l d o w n f o r d e t a i l s

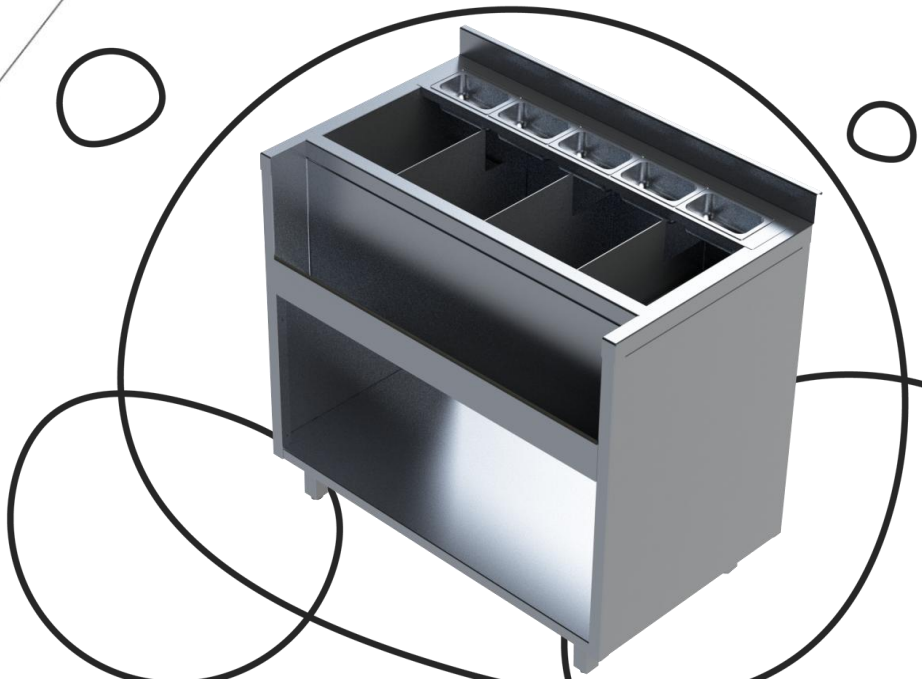
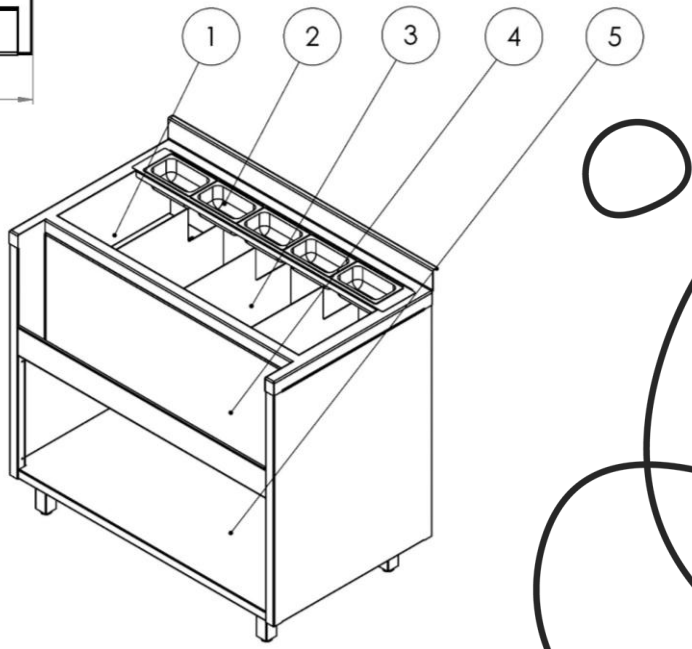
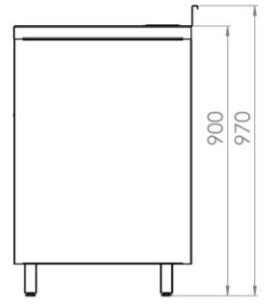
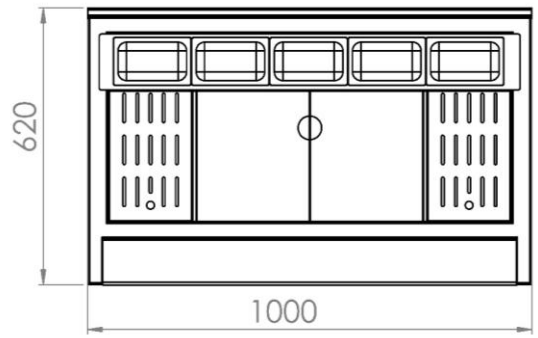


Basic Line



Cocktail Station **Basic S**

1199€

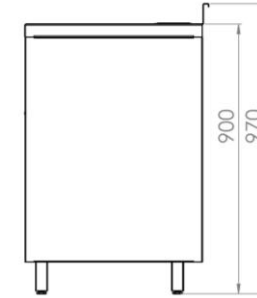
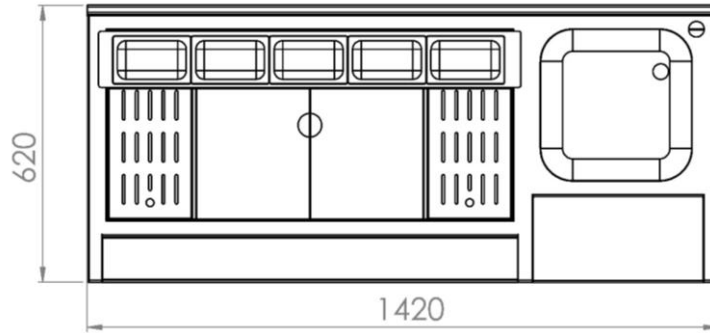


**BAR
SETUP**

No.	Name
1	Store bin (2x)
2	Gastronorm (GN) for garnish (5 x 1/9)
3	Ice Bin (split in 2 with removable separator)
4	Speed Rail / bottles rack
5	Shelf for extra storage

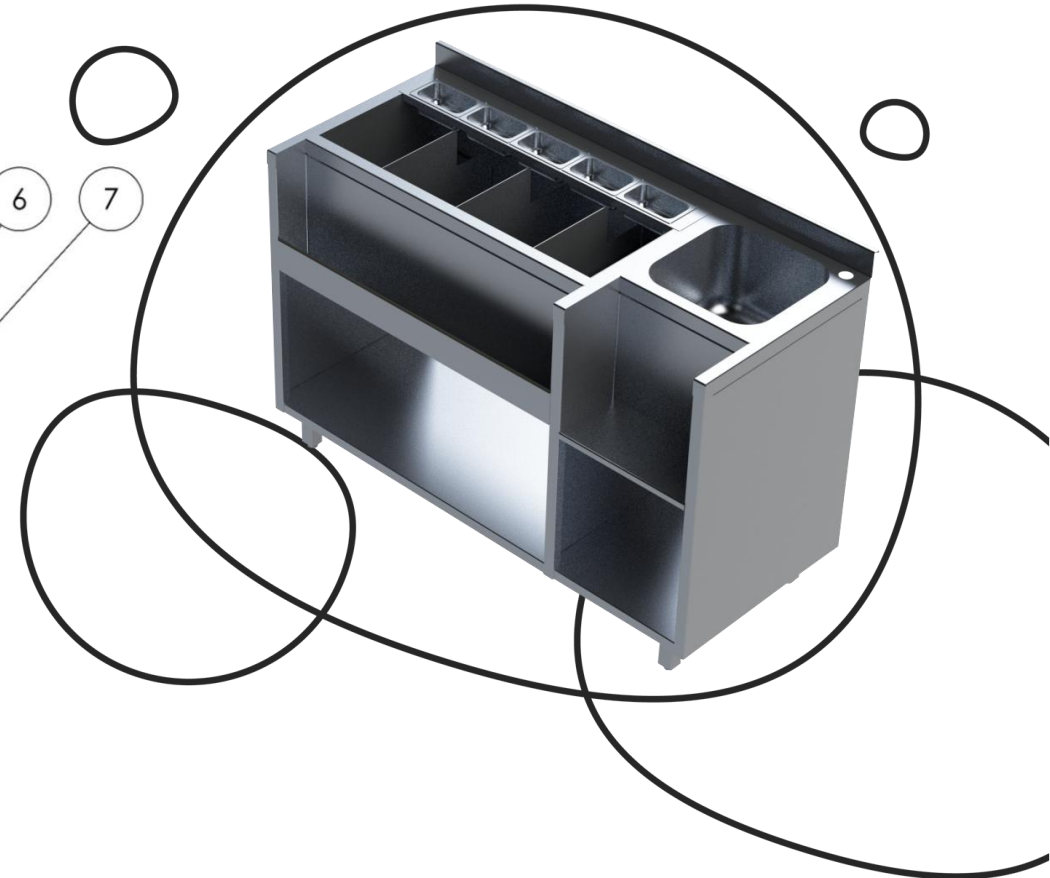
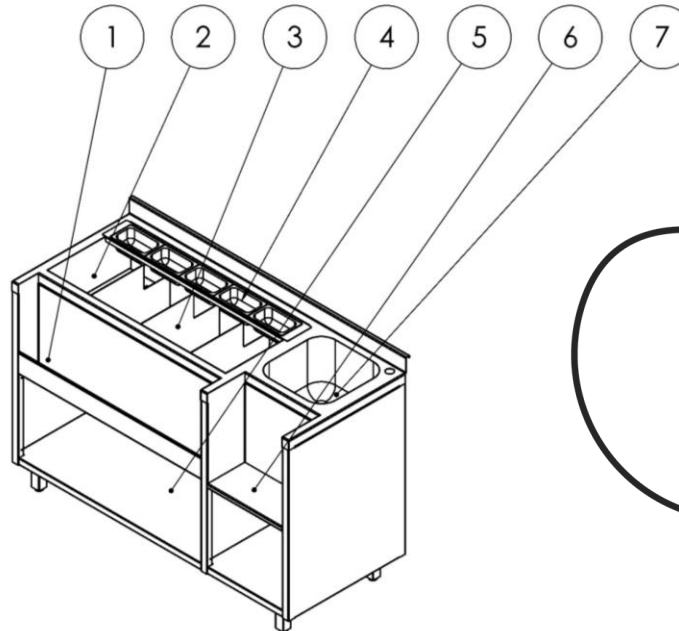
Cocktail Station **Basic M1**

1799€



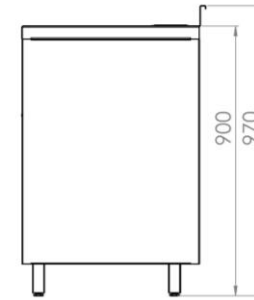
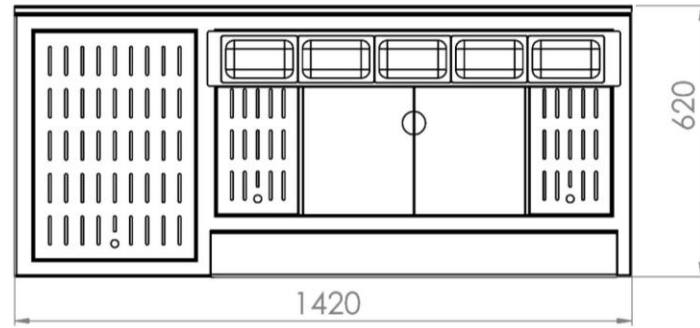
**BAR
SETUP**

No.	Name
1	Speed rail / bottles rack
2	Store Bin (2x)
3	Ice Bin (split in 2 with removable separator)
4	Gastronorm zone for garnish (5 x 1/9)
5	Shelf for extra storage
6	Blender area/shelf
7	Sink



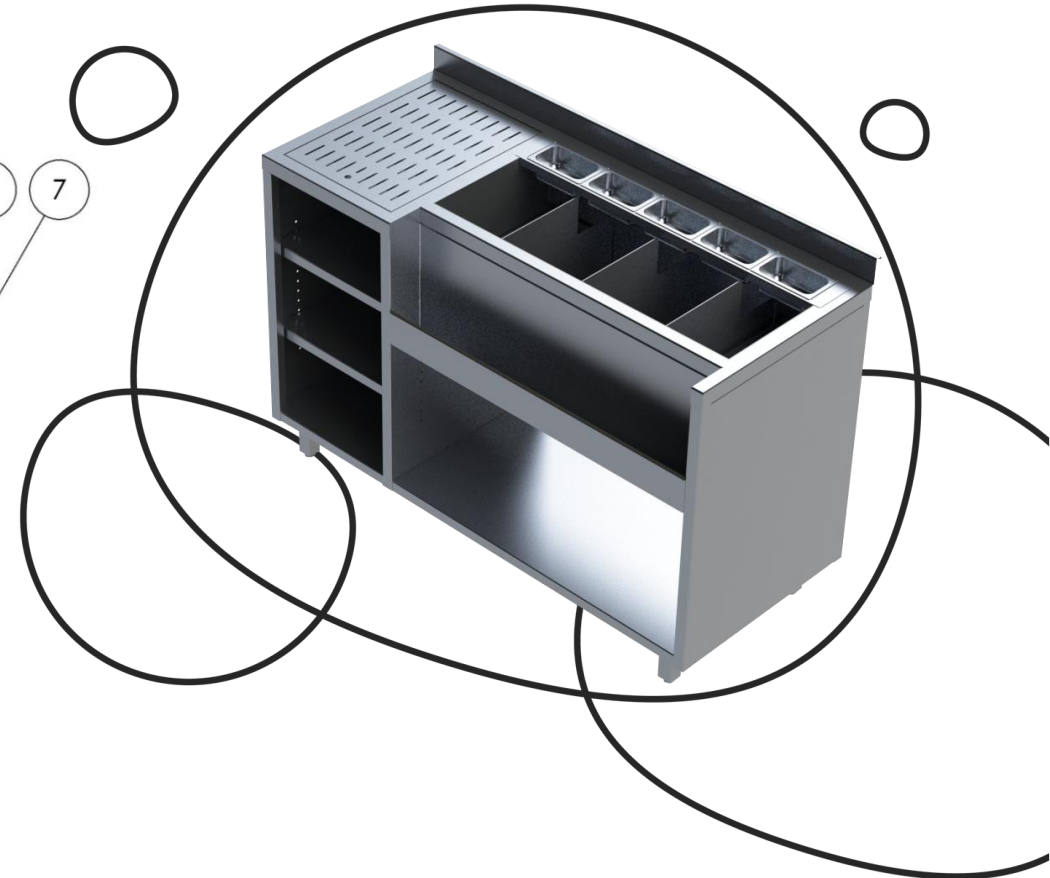
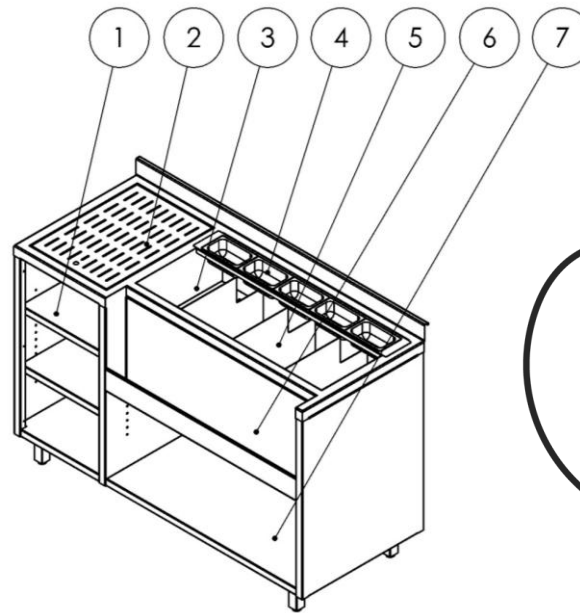
Cocktail Station **Basic M2**

1799€



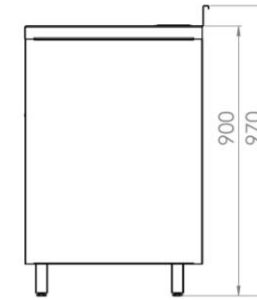
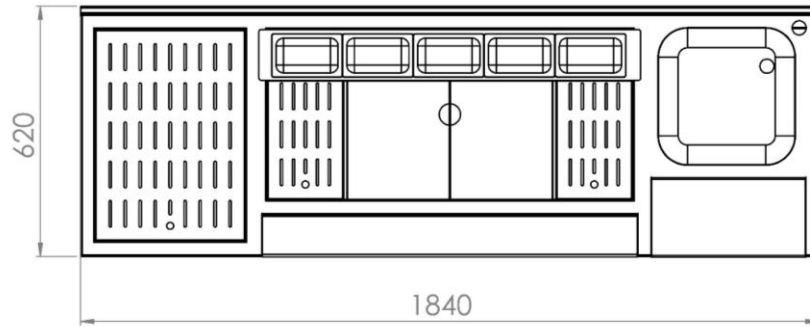
**BAR
SETUP**

No.	Name
1	Shelves for glasses / glasses rack
2	Perforated glasses holder (drip tray)
3	Store bin (2x)
4	Gastronorm zone for garnish (5 x 1/9)
5	Ice Bin (split in 2 with removable separator)
6	Speed rail / bottles rack
7	Shelf for extra storage



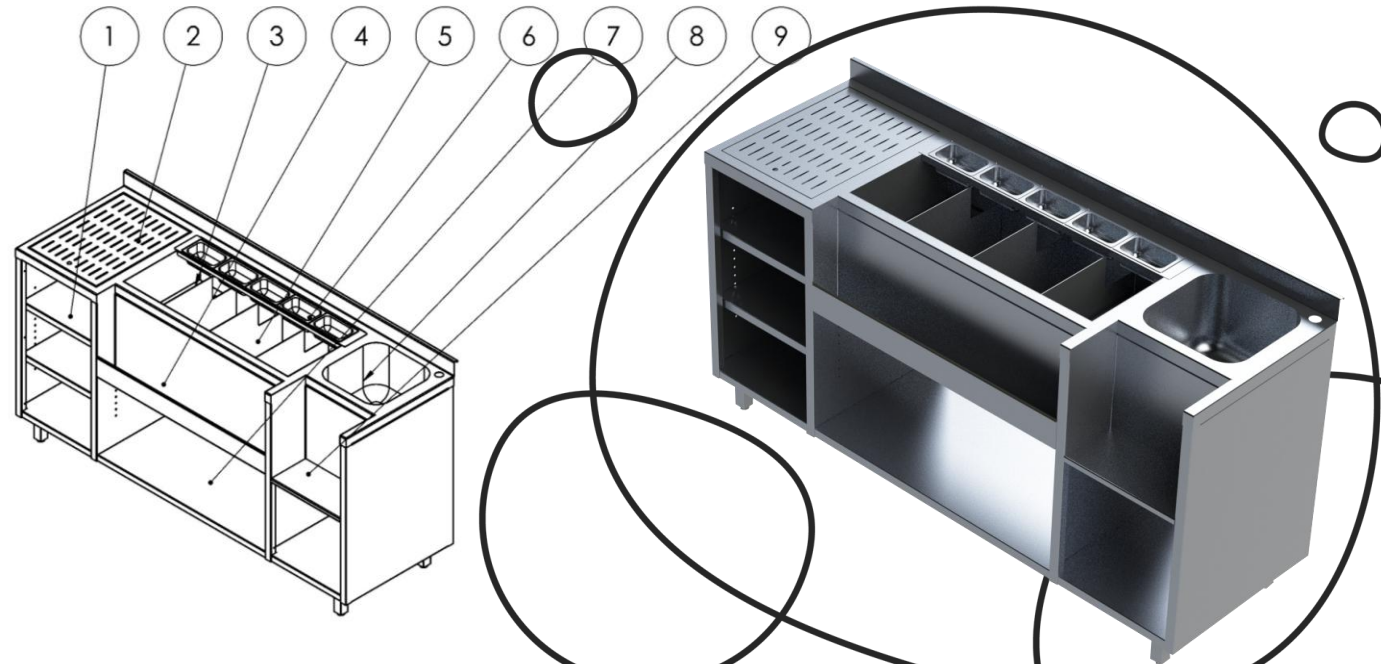
Cocktail Station **Basic L**

2299€

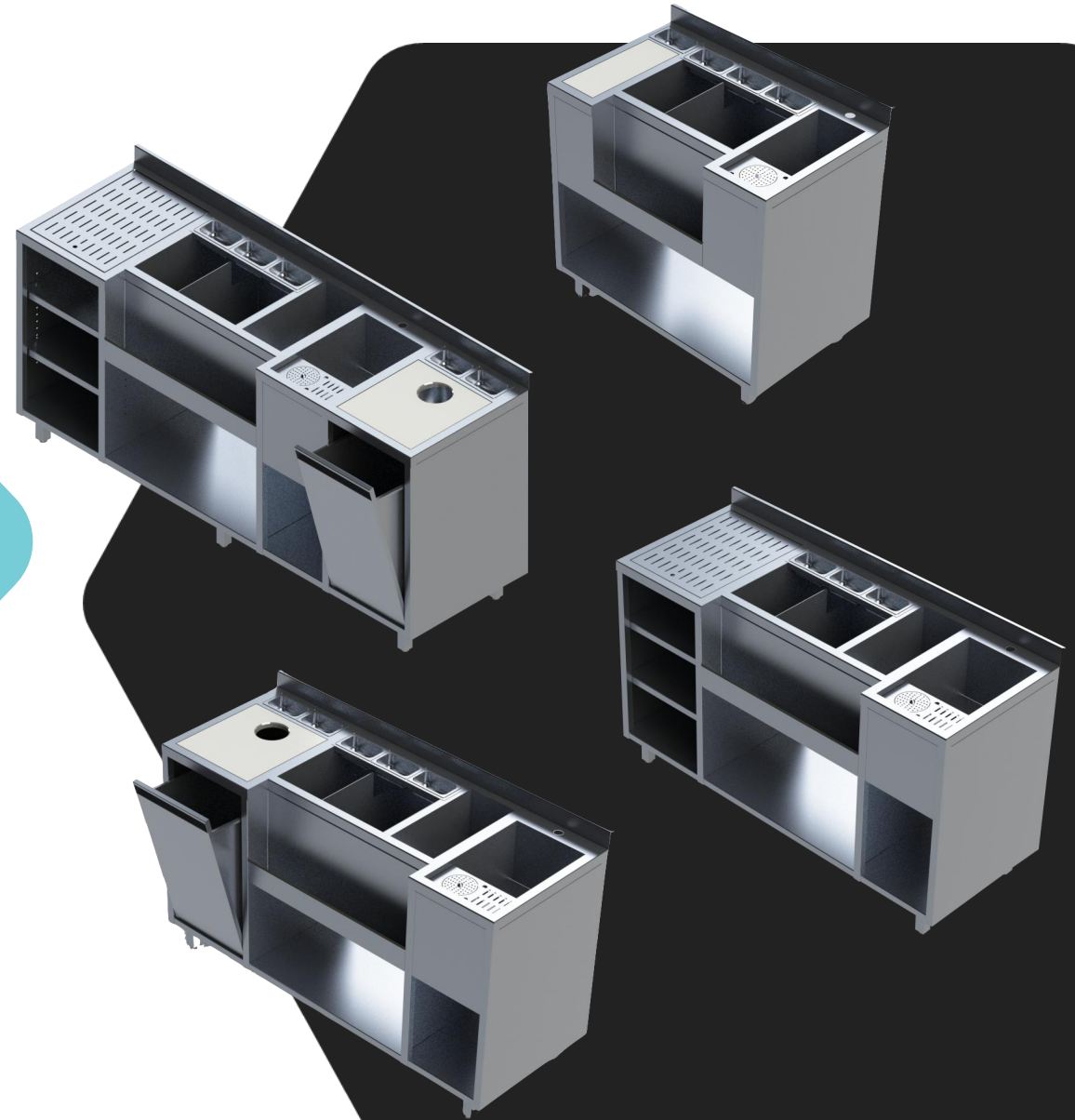


**BAR
SETUP**

No.	Name
1	Shelves for glasses / glasses rack
2	Perforated glasses holder
3	Store bin (2x)
4	Speed Rail / bottles rack
5	Ice Bin (split in 2 with removable separator)
6	Gastronorm zone for garnish (5 x 1/9)
7	Shelf for extra storage
8	Sink
9	Blender area/shelf

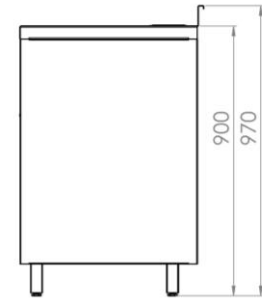
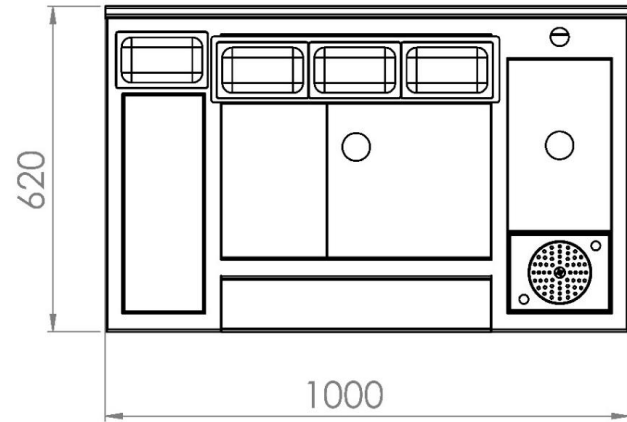


Plus Line

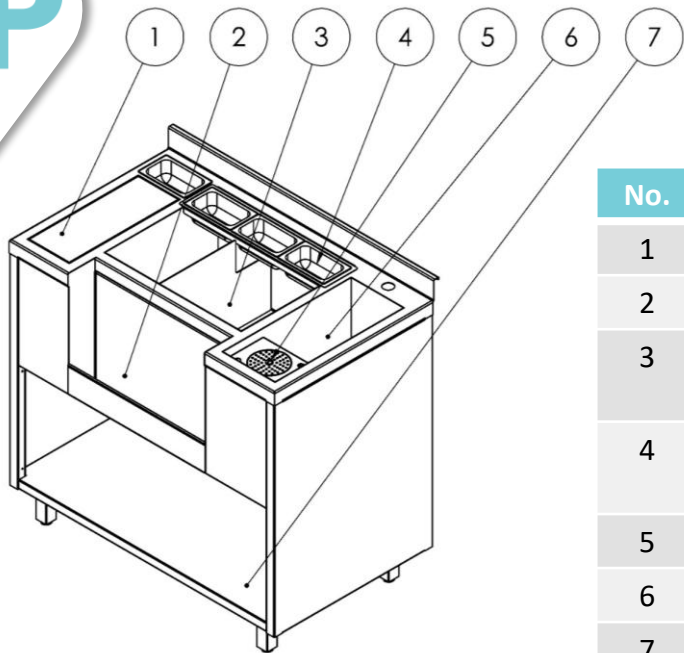


Cocktail Station **Plus S**

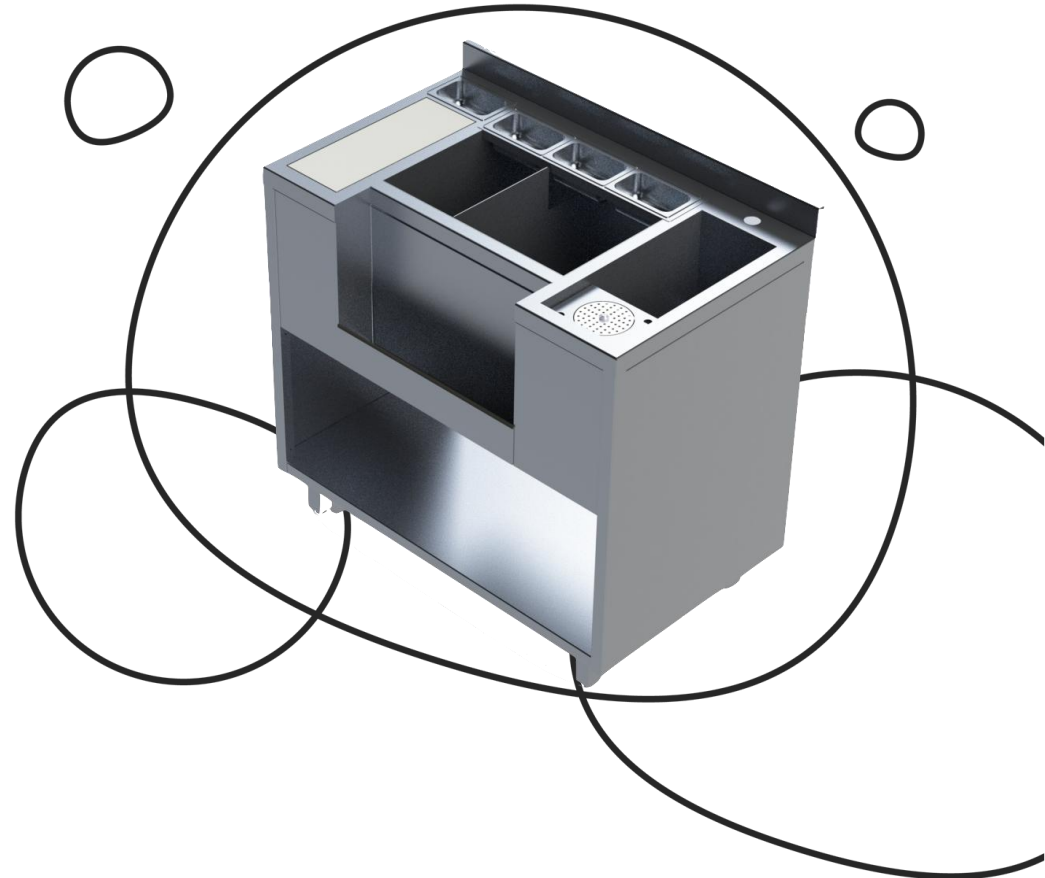
1499€



**BAR
SETUP**



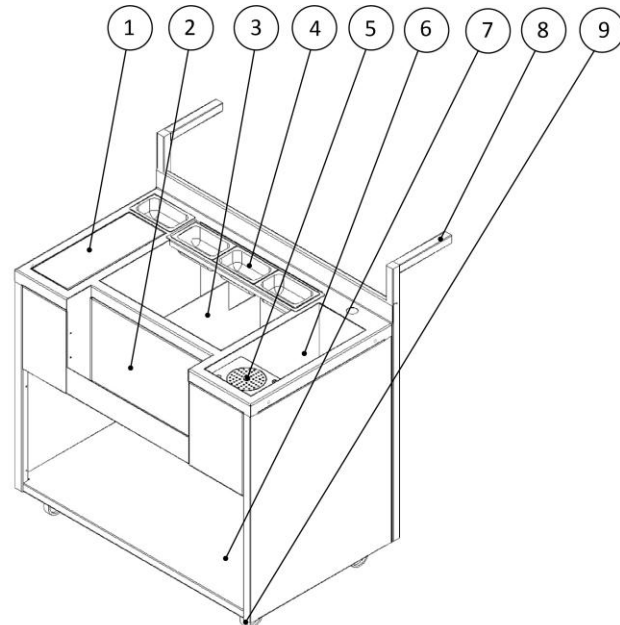
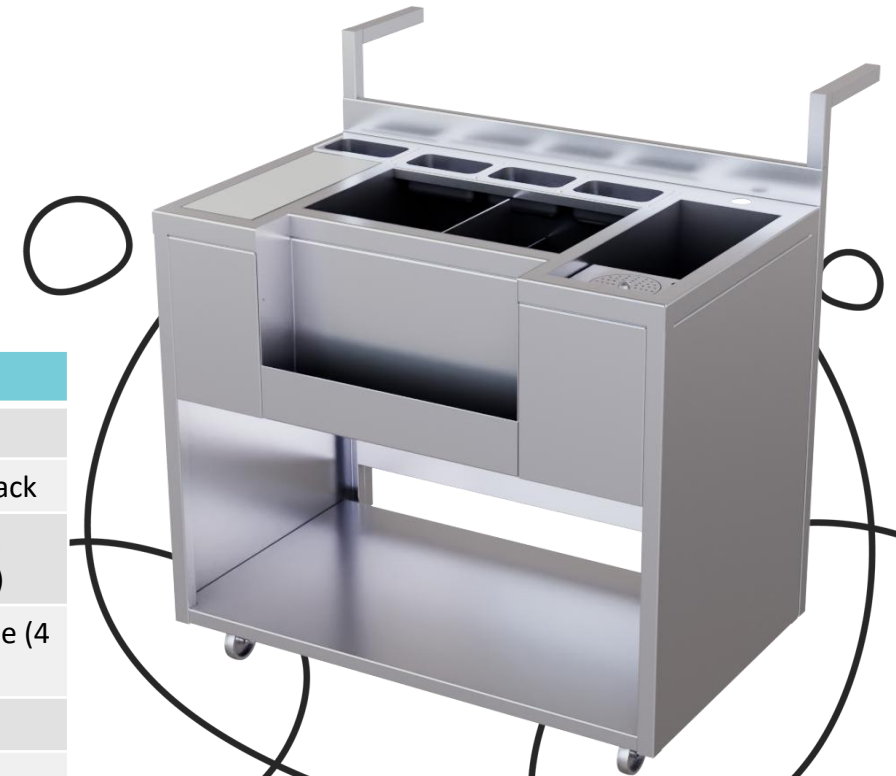
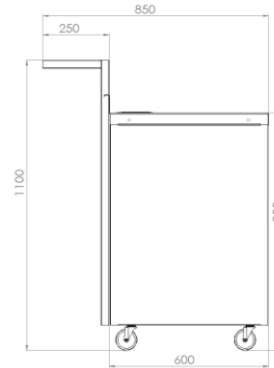
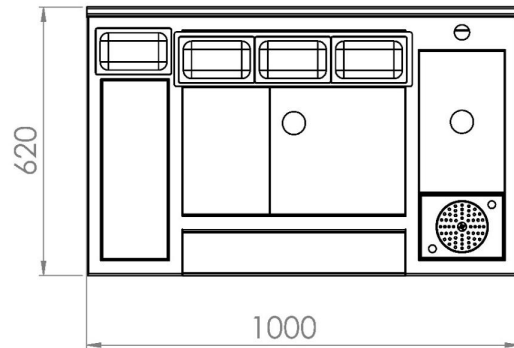
No.	Name
1	Cutting board
2	Speed Rail / bottles rack
3	Ice Bin (split in 2 with removable separator)
4	Gastronorm (GN) zone (4 x 1/9)
5	Rinser
6	Sink
7	Shelf for extra storage



Cocktail Station **Plus S – Mobile**

(Standard Plus S with wheels and structure for the serving area)

1699€

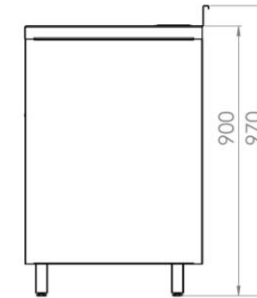
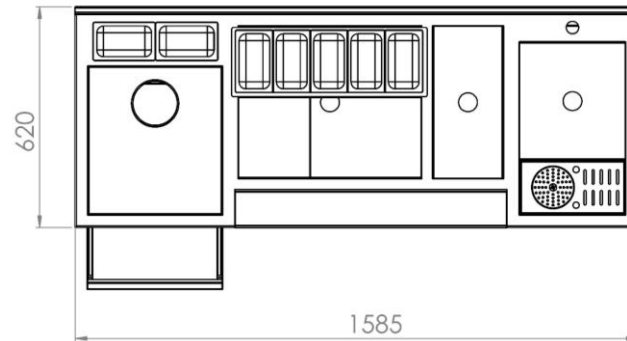


No.	Name
1	Cutting board
2	Speed Rail / bottles rack
3	Ice Bin (split in 2 with removable separator)
4	Gastronorm (GN) zone (4 x 1/9)
5	Rinser
6	Sink
7	Shelf for extra storage
8	Structure
9	Wheels

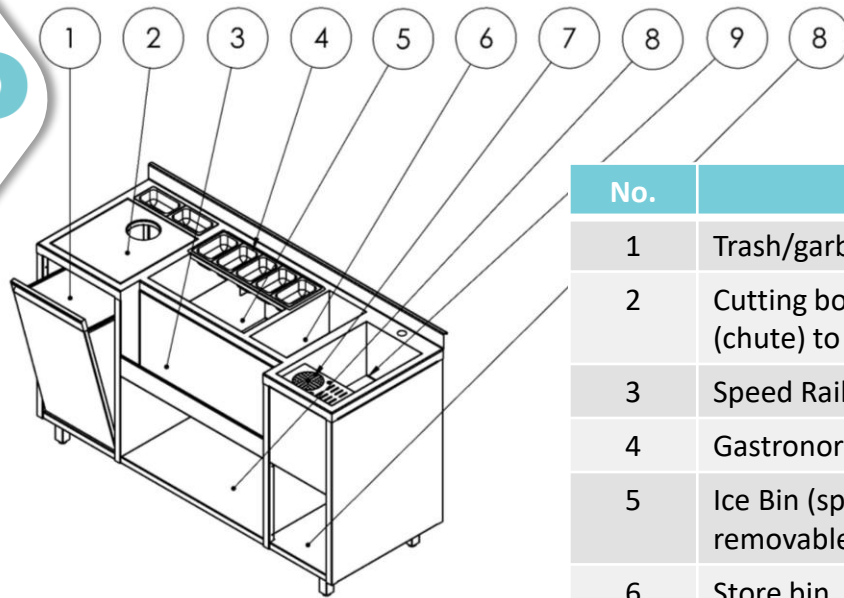
**BAR
SETUP**

Cocktail Station **Plus M1**

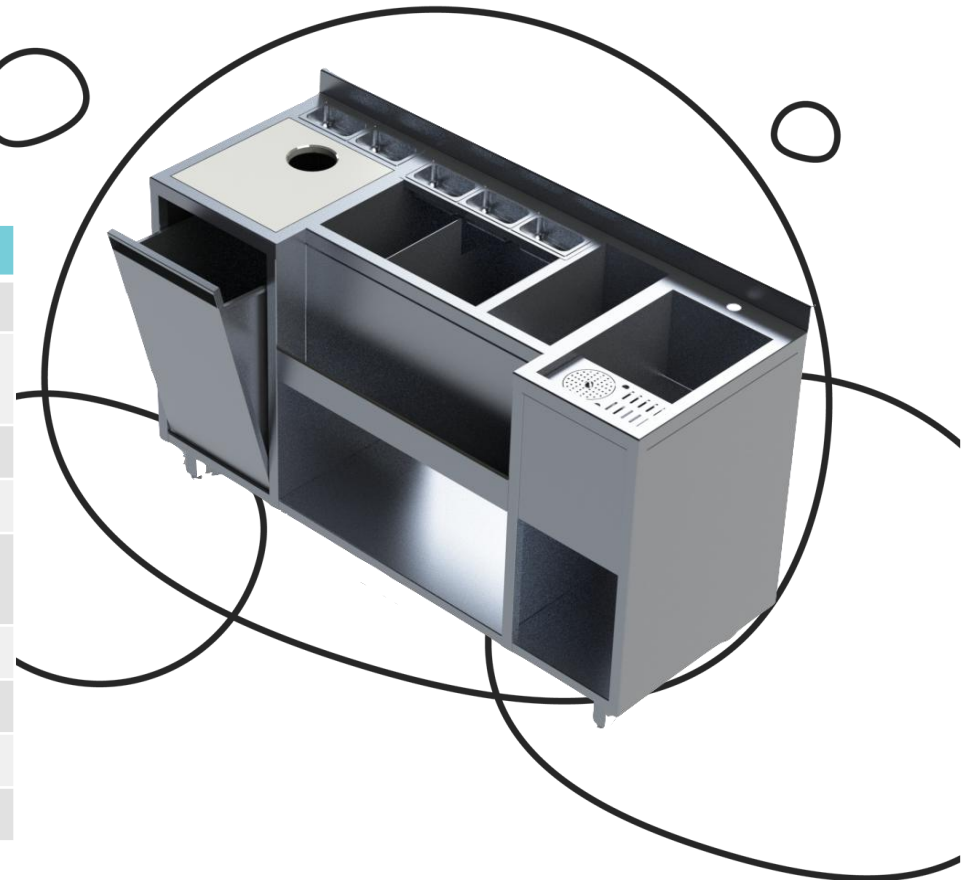
2499€



**BAR
SETUP**

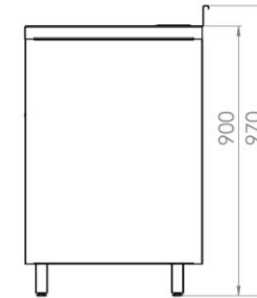
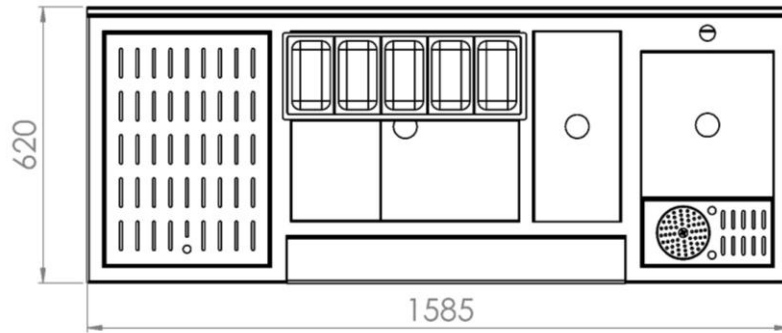


No.	Name
1	Trash/garbage bin
2	Cutting board with direct hole (chute) to the trash bin
3	Speed Rail / bottles rack
4	Gastronorm (GN) zone (5 x 1/9)
5	Ice Bin (split in 2 with removable separator)
6	Store bin
7	Rinser
8	Shelf for extra storage
9	Sink

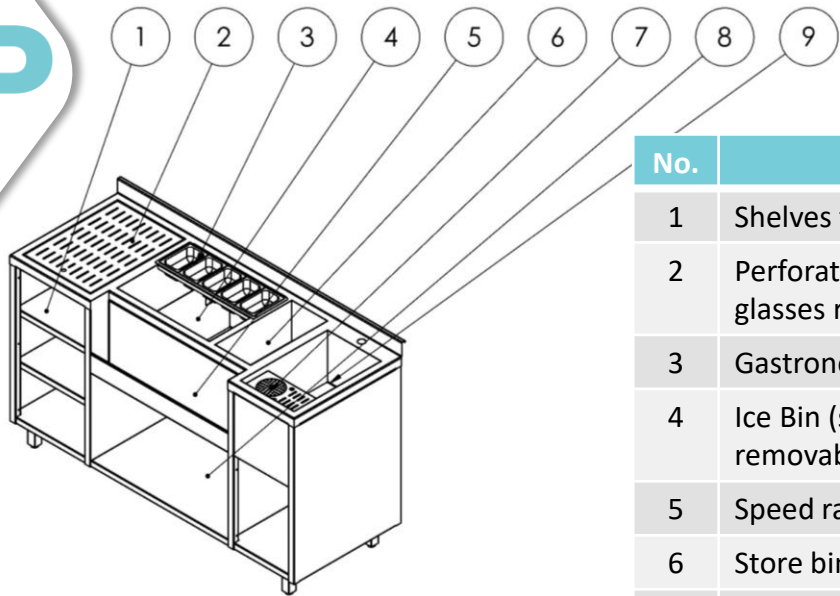


Cocktail Station **Plus M2**

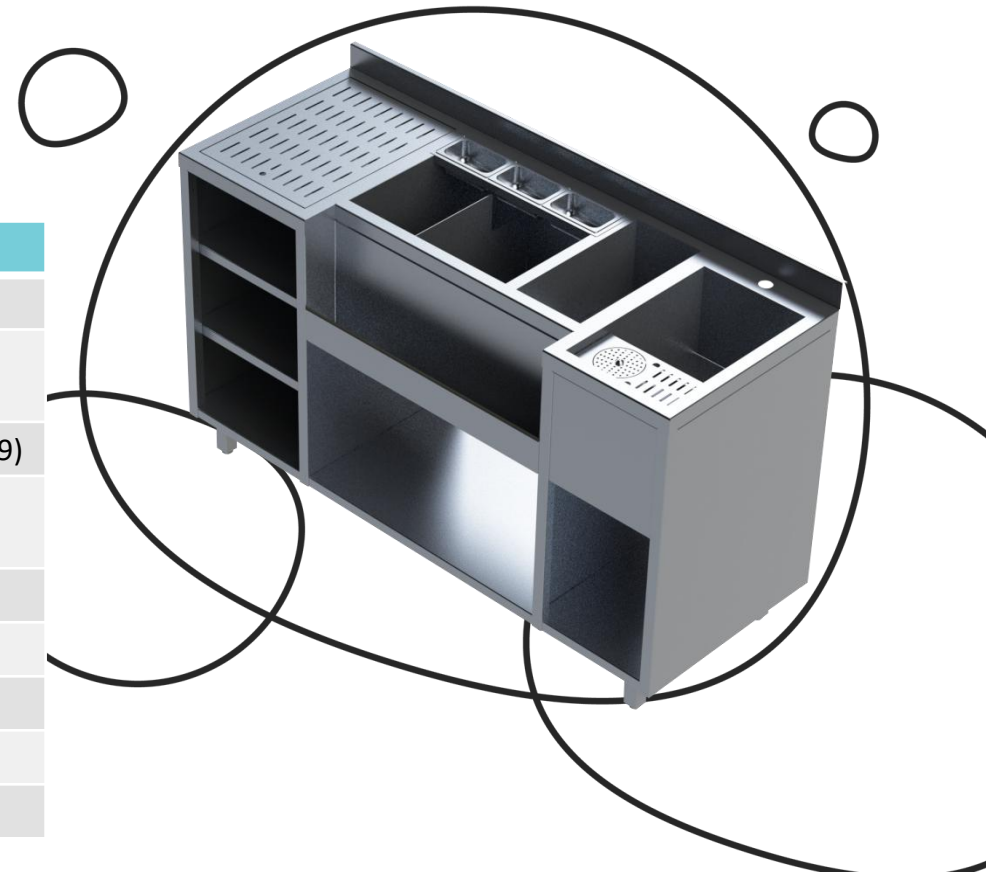
2499€



**BAR
SETUP**

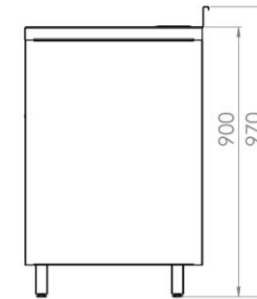
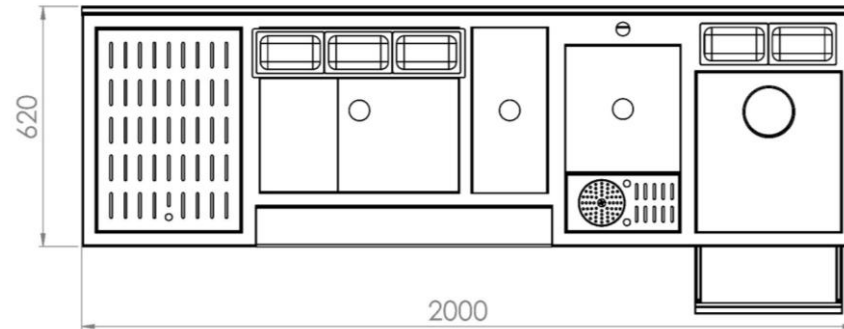


No.	Name
1	Shelves for glasses
2	Perforated glasses holder / glasses rack
3	Gastronorm (GN) zone (3 x 1/9)
4	Ice Bin (split in 2 with removable separator)
5	Speed rail / bottles rack
6	Store bin
7	Rinser
8	Shelf for extra storage
9	Sink

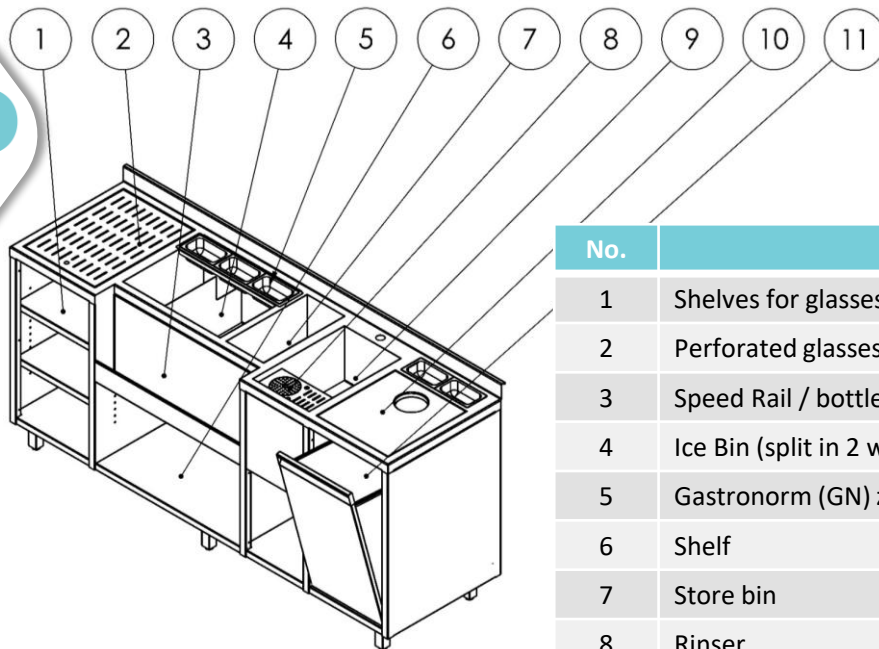


Cocktail Station **Plus L**

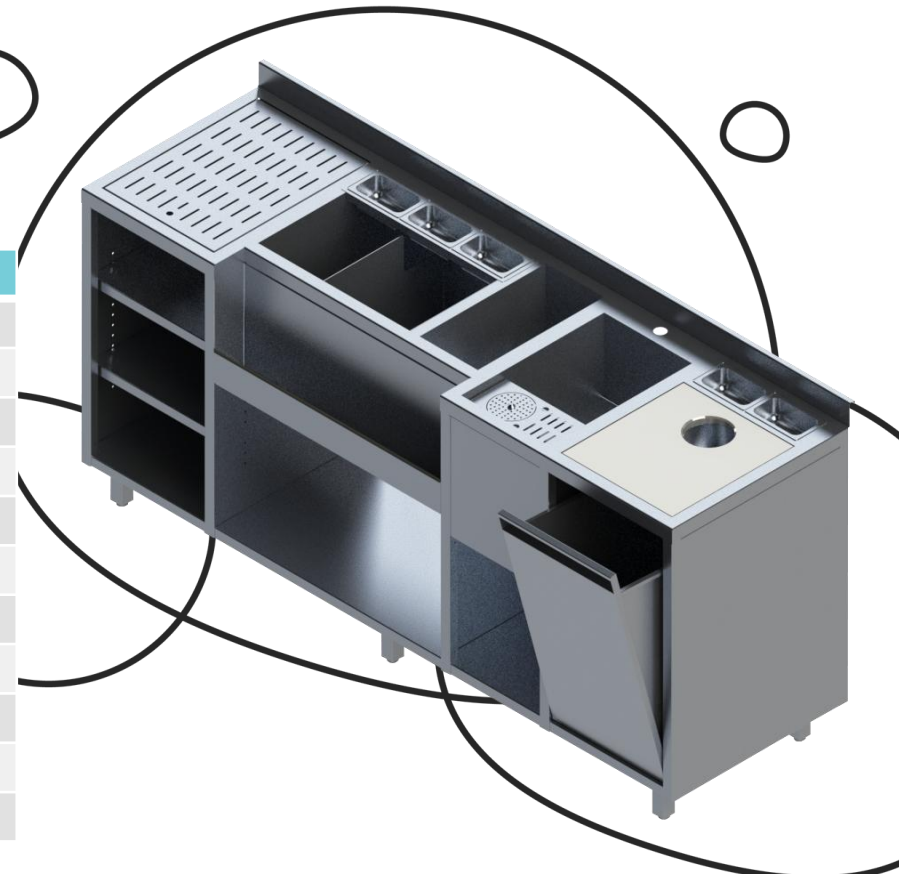
3299€



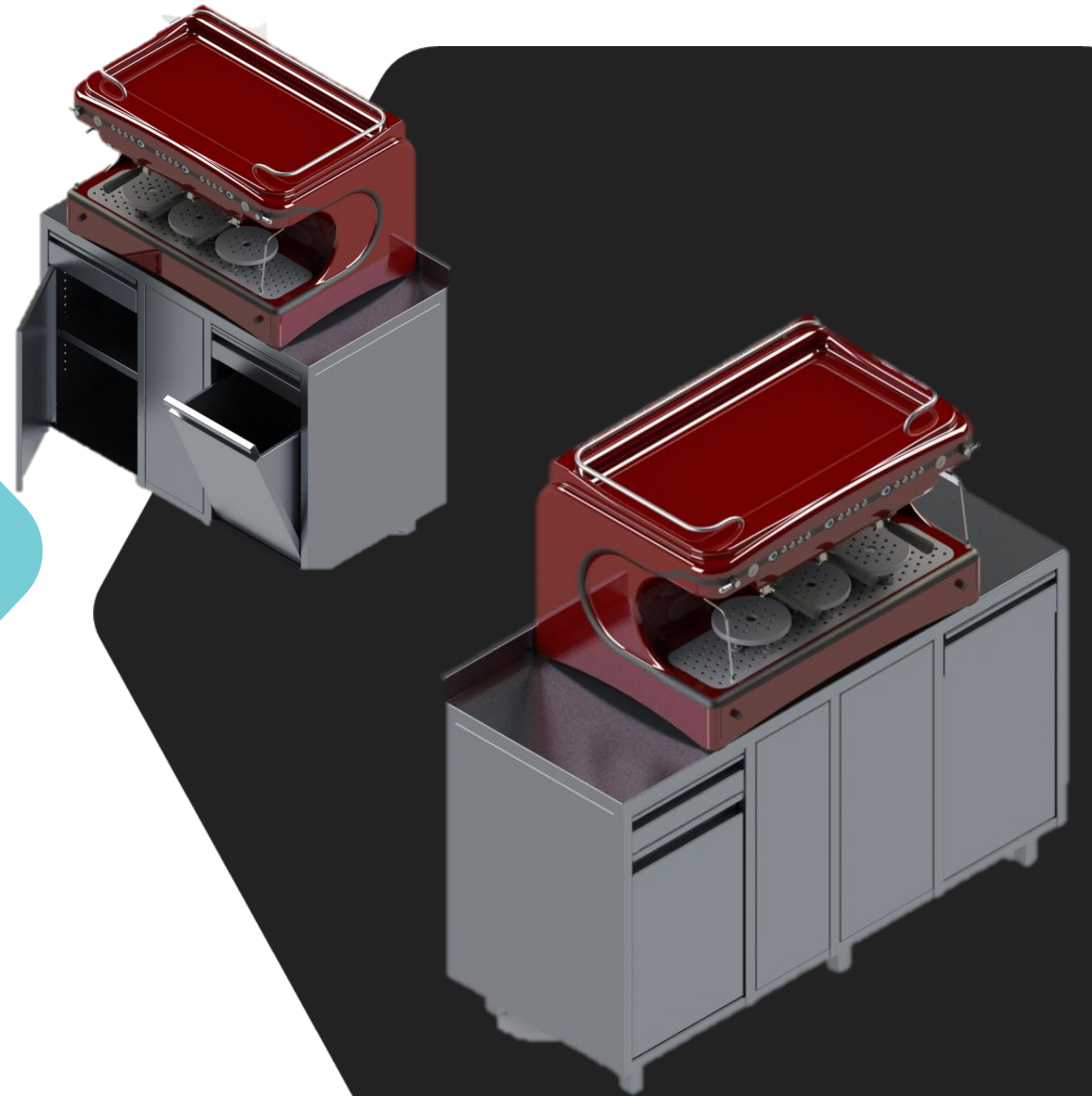
**BAR
SETUP**



No.	Name
1	Shelves for glasses
2	Perforated glasses holder / glasses rack
3	Speed Rail / bottles rack
4	Ice Bin (split in 2 with removable separator)
5	Gastronorm (GN) zone (5 x 1/9)
6	Shelf
7	Store bin
8	Rinser
9	Sink
10	Cutting board with direct trash hole (chute)
11	Trash / garbage bin



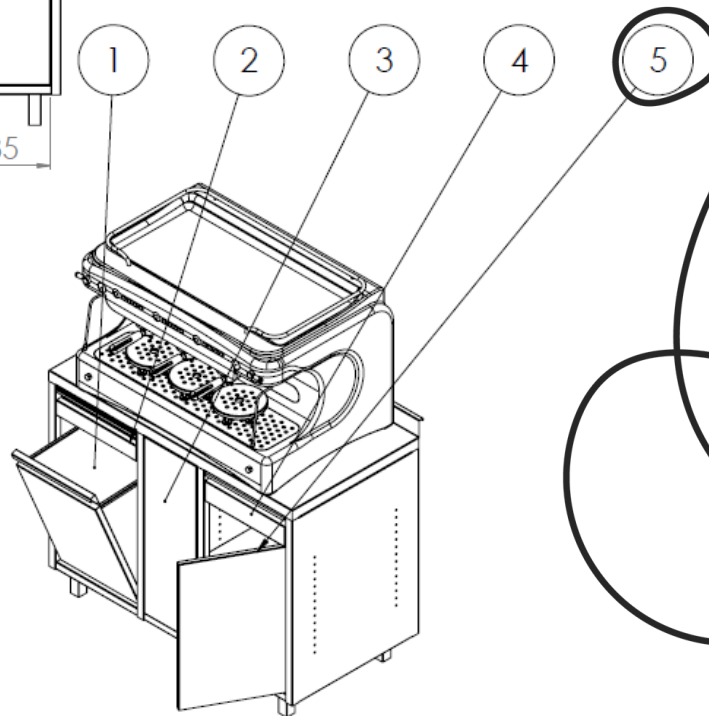
Coffee Stations



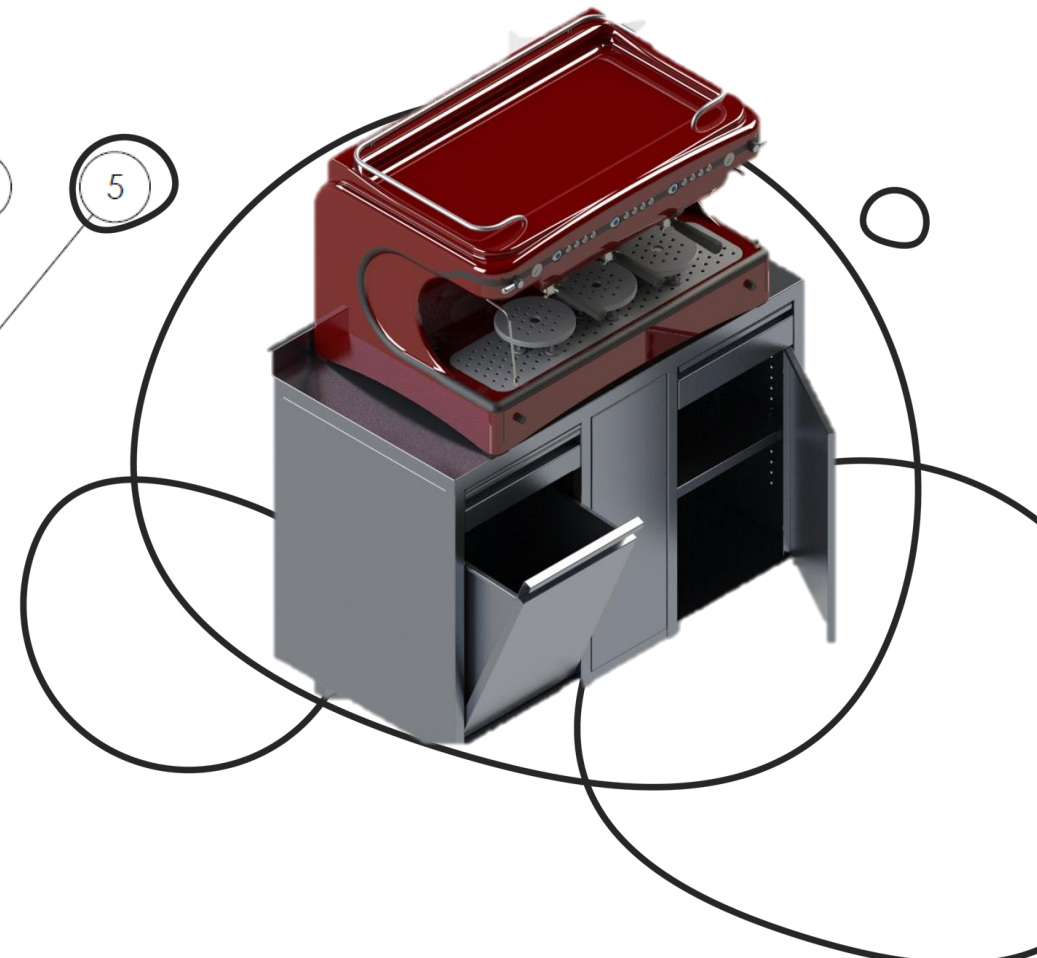
Espresso Module S (1150mm)

1649€

**BAR
SETUP**



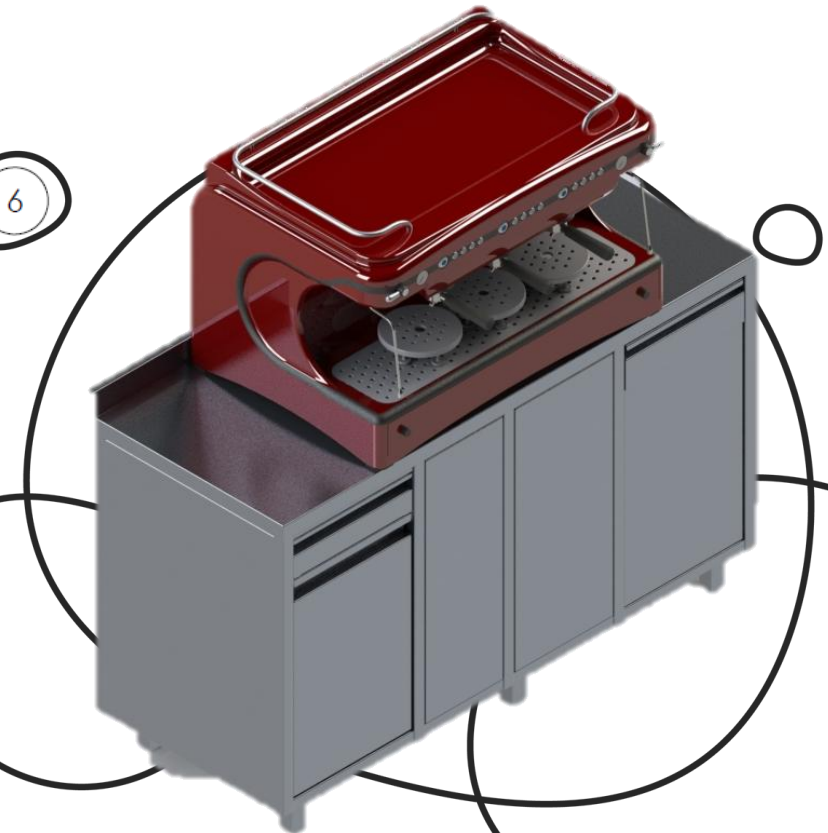
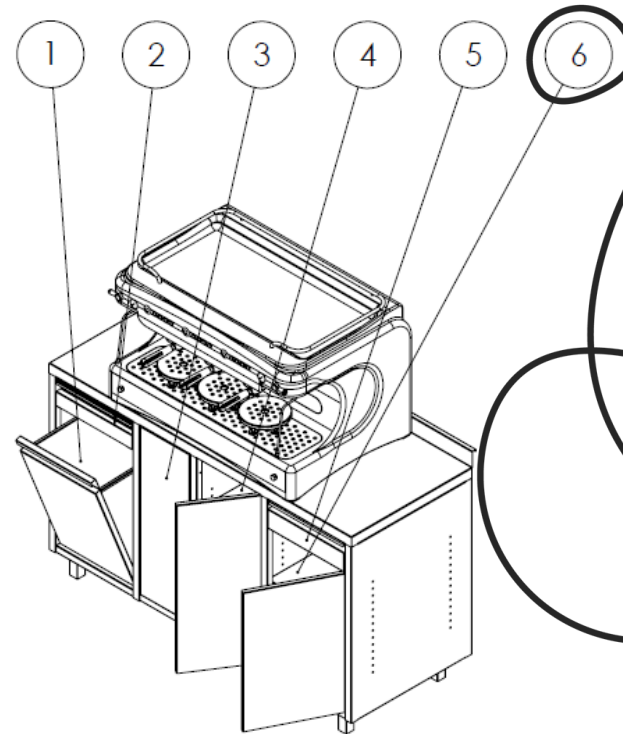
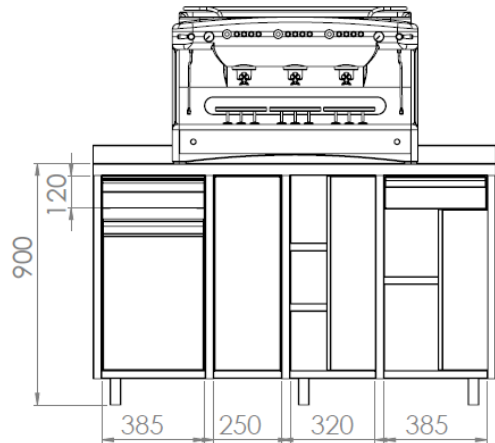
No.	Name
1	Trash / garbage bin
2	Knock box
3	Water softener area
4	Drawer
5	Storage shelves with door



*espresso machine not included

Espresso Module L (1500mm)

1899€



No.	Name
1	Trash / garbage bin
2	Knock box
3	Water softener area
4	Storage shelves with door
5	Drawer
6	Storage shelves with door

*espresso machine not included

BAR
SETUP

Terms and Conditions

Prices are quoted in EURO, excluding VAT and they are subject to change.



Payment is made in 2 instalments: 50% advance and the remaining 50% 1 day before the delivery.



Production lead time is approximately **10** business days.



Transportation / Delivery is not included. Prices upon request.



Accessories are not included (GNs, sink faucet, water connections, etc.).



Custom products can be made upon request.



Warranty period is 12 months from the second installment payment.



Due to products being made to order, **returns** are not possible or accepted.

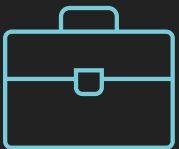


**BAR
SETUP**

USP

Stefan Pertea

Sales Director



SC Shapes Consulting SRL
RO42887065
J40/9469/2020

contact@barsetup.eu

+40726686758 (English and French)

www.barsetup.eu



C o n t a c t